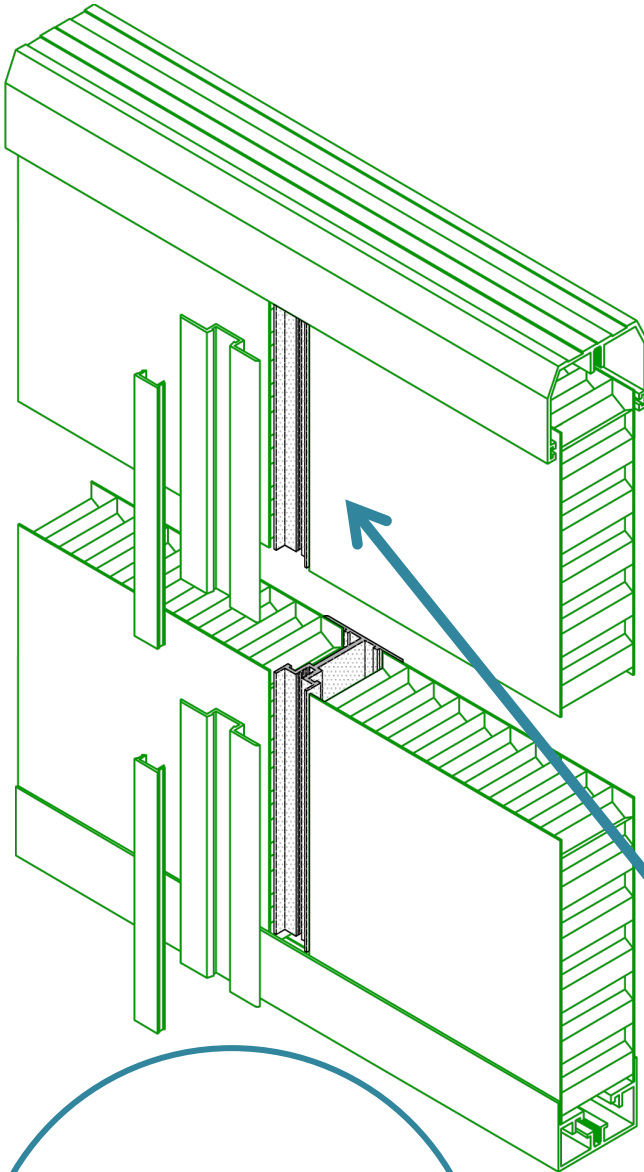


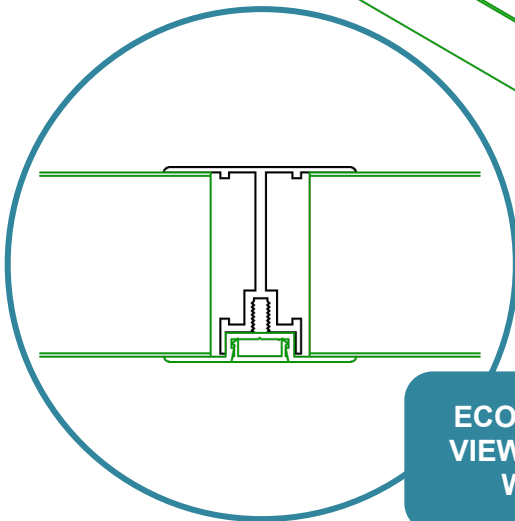
FEATURED PRODUCT

ECONOMY STUD ES-20-SA

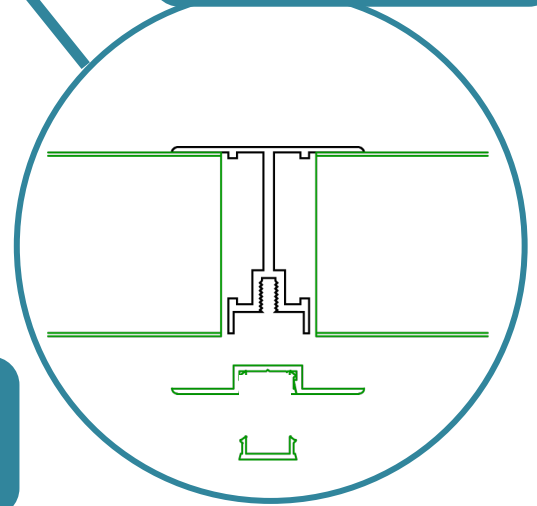
- ◆ Economy Stud for our Double Wall System is a greener, more economical alternative to our standard Double Wall Stud
- ◆ Easier to install than our regular Double Wall Stud
- ◆ Ideal for modular construction



ECONOMY STUD
EXPLODED VIEW
SHOWN WITH OUR
DOUBLE WALL SYSTEM



ECONOMY STUD END
VIEW IN OUR DOUBLE
WALL SYSTEM



PATENT PENDING

**WEBB
CORE**
HONEYCOMB PANELS

PH: 800-697-8062
FX: 503-981-2177

PORTLAND, OR

WEBBCORE.COM

THE DESIGN AND CONCEPTS REPRESENTED BY THIS PRINT AND ACCOMPANYING DOCUMENTS ARE THE SOLE PROPERTY OF WEBB CORE, INC. AND MAY NOT BE USED, COPIED, OR REPRODUCED WITHOUT PRIOR WRITTEN CONSENT OF SAID OFFICE.